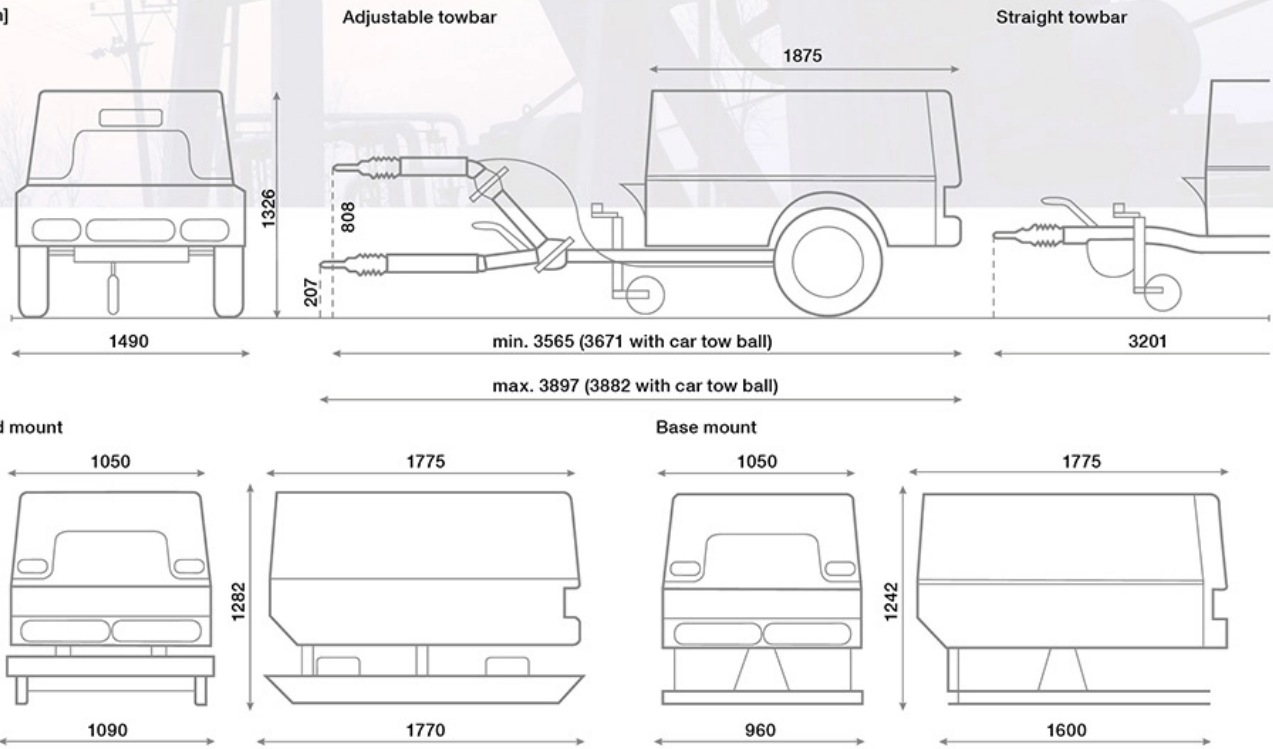


Technical Data - C35-10 to C50

[mm]



Product range		DLT 0409			
Type		C35-10	C38	C42	C50
Operational data					
Volume flow ¹⁾	m ³ /min	3.5	3.8	4.2	5.0
(Optional 9 or 15 kVA Generator)	cfm	123.6	134	148	176.5
Operating pressure	bar	10	7	7	7
	psi	145	101.5	101.5	101.5
Engine		Yanmar 4TNV88C-DCP			
Installed engine power	kW	35.0	35.0	35.0	35.0
RPM-range	rpm	1500 - 2800	1500 - 2800	1500 - 2800	1500 - 2800
Operating weight²⁾					
Portable compressor	adjustable towbar braked kg	850 / 785	850 / 785	850 / 785	880 / 825
	adjustable towbar unbraked kg	765 / 730	765 / 730	765 / 730	-
	straight towbar braked kg	810 / 760	810 / 760	810 / 760	840 / 800
	straight towbar unbraked kg	750 / 710	750 / 710	750 / 710	780 / 740
Permissible gross weight	kg	1025 / 750	1025 / 750	1025 / 750	1025 / 750
Filling capacities					
Engine oil	l	6.5	6.5	6.5	6.5
Diesel tank	l	60	60	60	60
Compressor oil	l	9	9	9	9
Dimensions and connections					
Length	adjustable towbar braked mm	3565 - 3910	3565 - 3910	3565 - 3910	3565 - 3910
	straight towbar braked mm	3201	3201	3201	3201
Width	mm	1490	1490	1490	1490
Height (adjustable towbar, braked)	mm	1326	1326	1326	1326
Compressed air outlet		2 x 3/4"			
Sound level					
Sound pressure level ³⁾	dB(A) LPA	69	69	69	69

¹⁾ Acc. to ISO 1217 Ed. 4 2009 Annex D ²⁾ Operating weight without options ³⁾ Noise level acc. to PNEUROP PN8NTC2.2 at 7 m